



UNITEDSEATS

MGV 35

The MGV 35 is a stylish low profile mechanical suspension seat that enhances the aesthetics of new machines as well as providing a safe and comfortable working position for the operator.

This seat is suitable for all types of agricultural, forklift and other small machinery. Available with several options.

International standards met by the MGV 35:
EN 13490 / IT1 / IT2 / EM2 /
EM4 / EM5 / EM7 / EM8

As a retrofit seat for refurbished vehicles the MGV 35 is an ideal replacement unit with slide rails already set at the popular 328mm mounting centres.

The choice of Heavy Duty water resistant PVC with drainage grooves or quality fabric trim makes it suitable for open or cabbed vehicles.



We unite your seat

STANDARD FEATURES

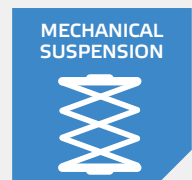
- Mechanical suspension
- Weight adjustment 50-130kg
- Suspension travel 80mm
- Slide rail travel 180mm
- Slide rails at 328mm centres
- Heavy duty PVC trim with drainage
- Seat width 460mm
- Foldable and adjustable backrest
- Seat belt

OPTIONS

- UnitedSeats fabric trim
- Mechanical lumbar support
- Adjustable armrests
- Headrest
- Contact switch

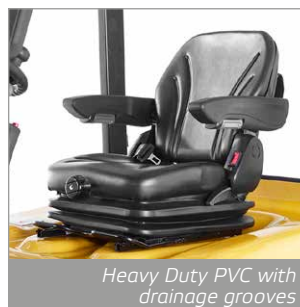
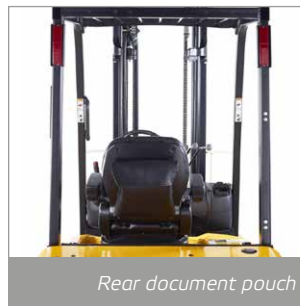
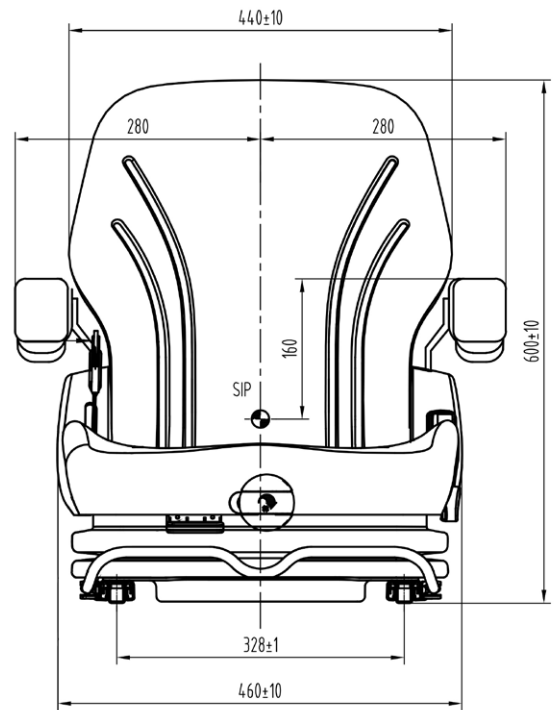
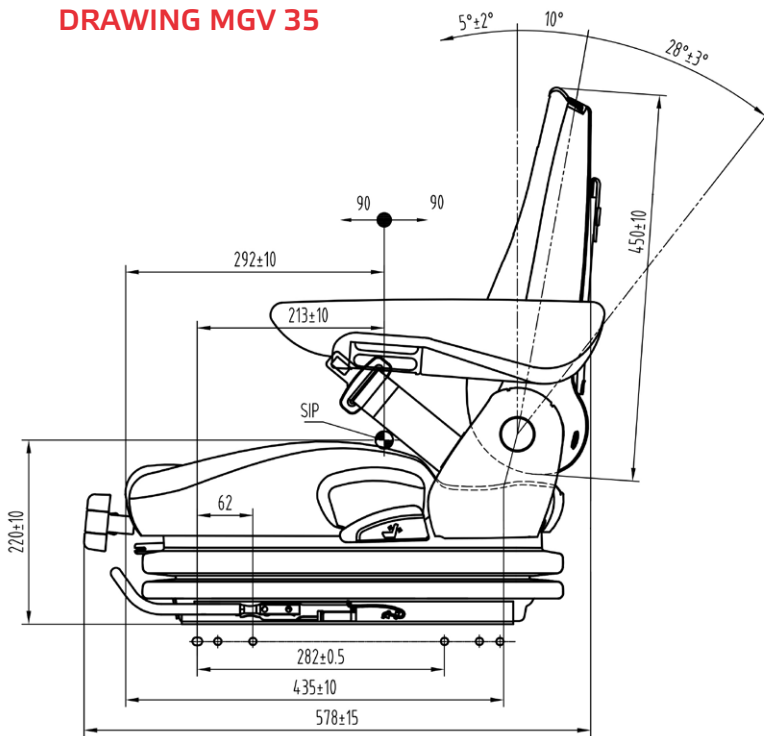
AFTER SERVICE

- Easy to replace cushion assemblies





TECHNICAL DRAWING MG V 35



UNITEDSEATS
Schrijnwerkersstraat 10
3334 KH Zwijndrecht
The Netherlands

T. UK +44 (0)1604 300 014
T. NL +31 (0)88 0158 700
E. info@unitedseats.com
I. www.unitedseats.com

